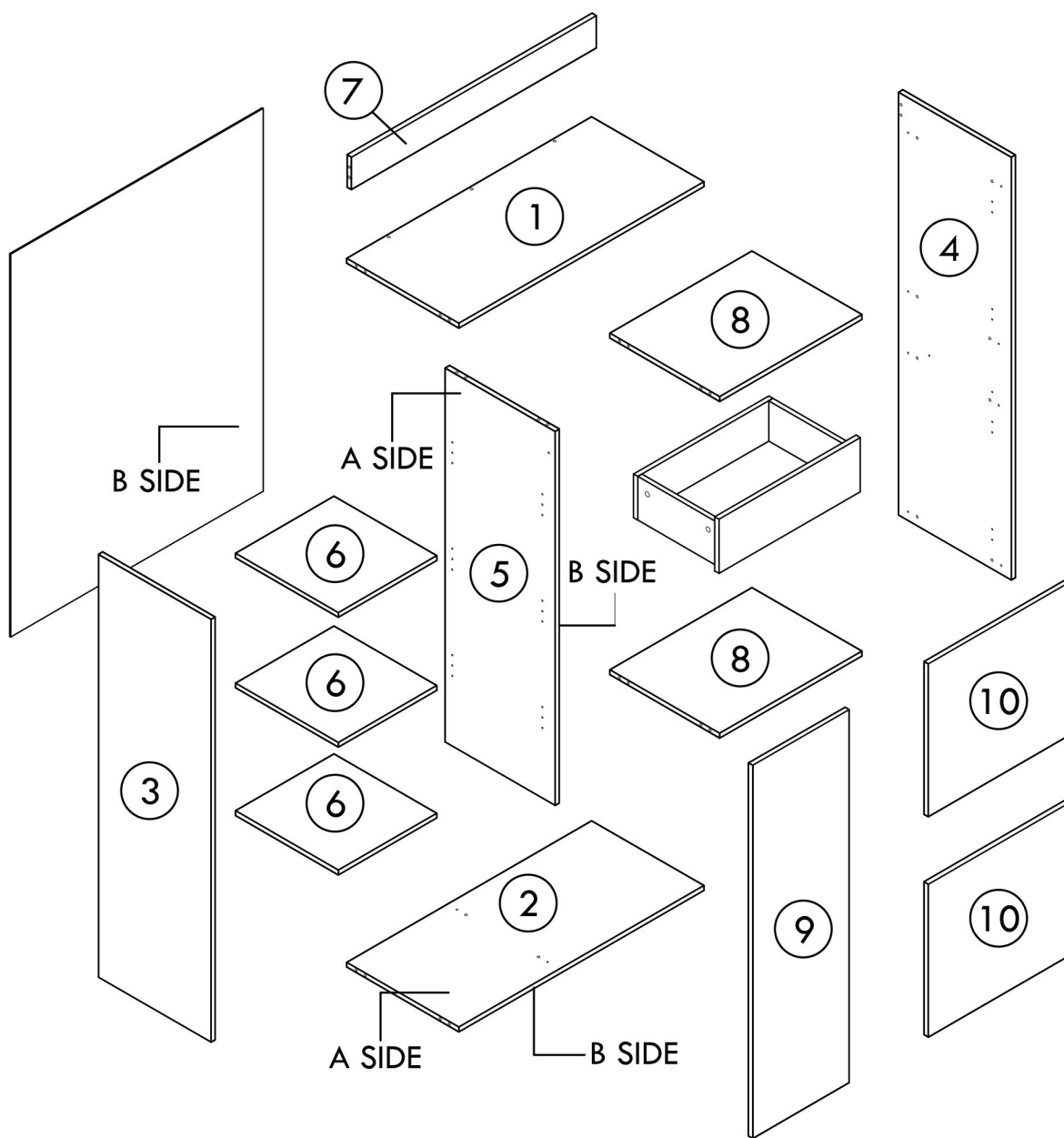
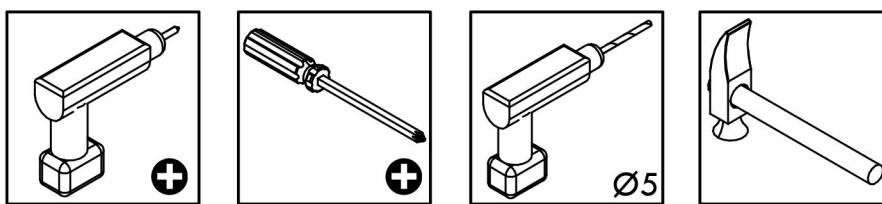


40 minutes

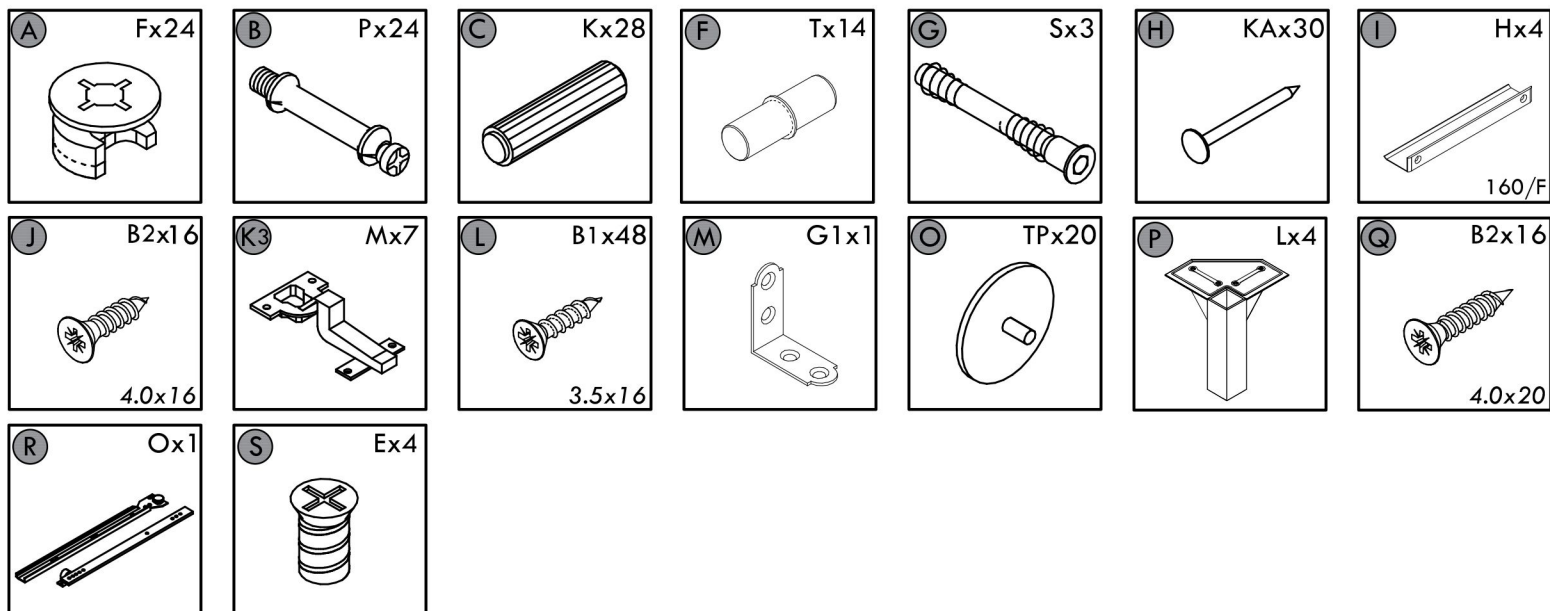




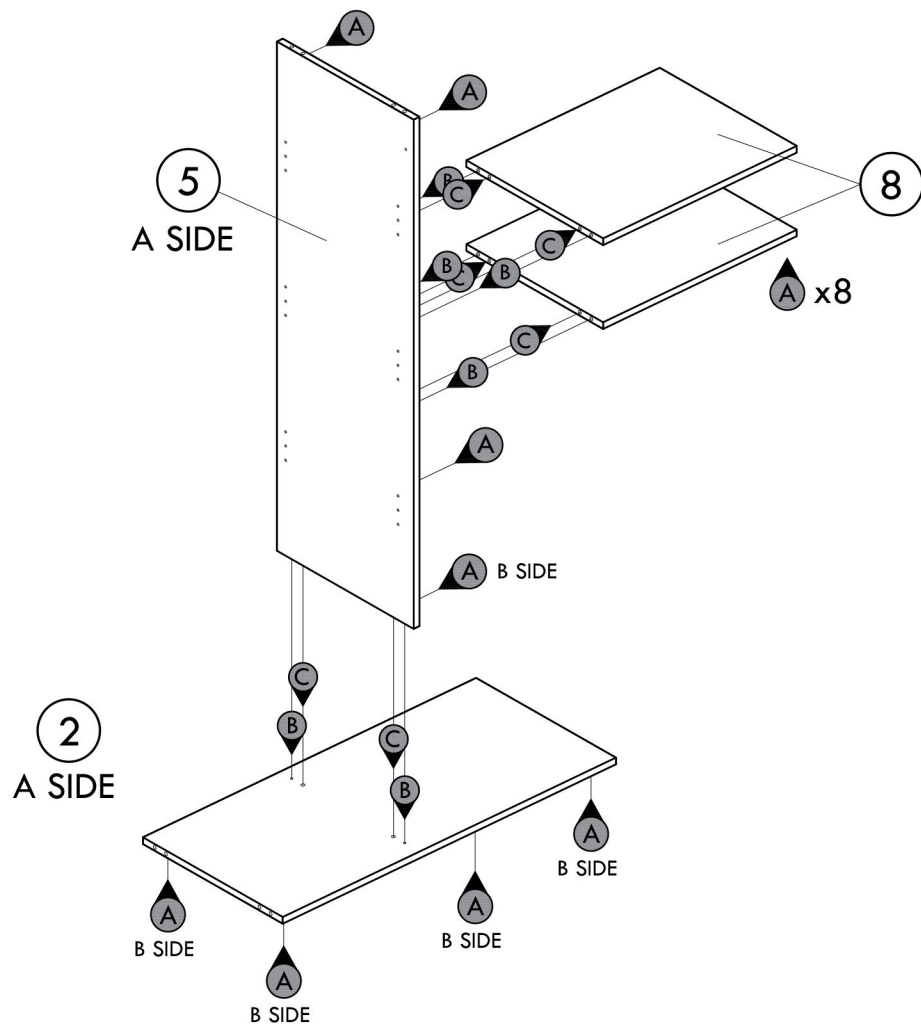
### USING TOOLS



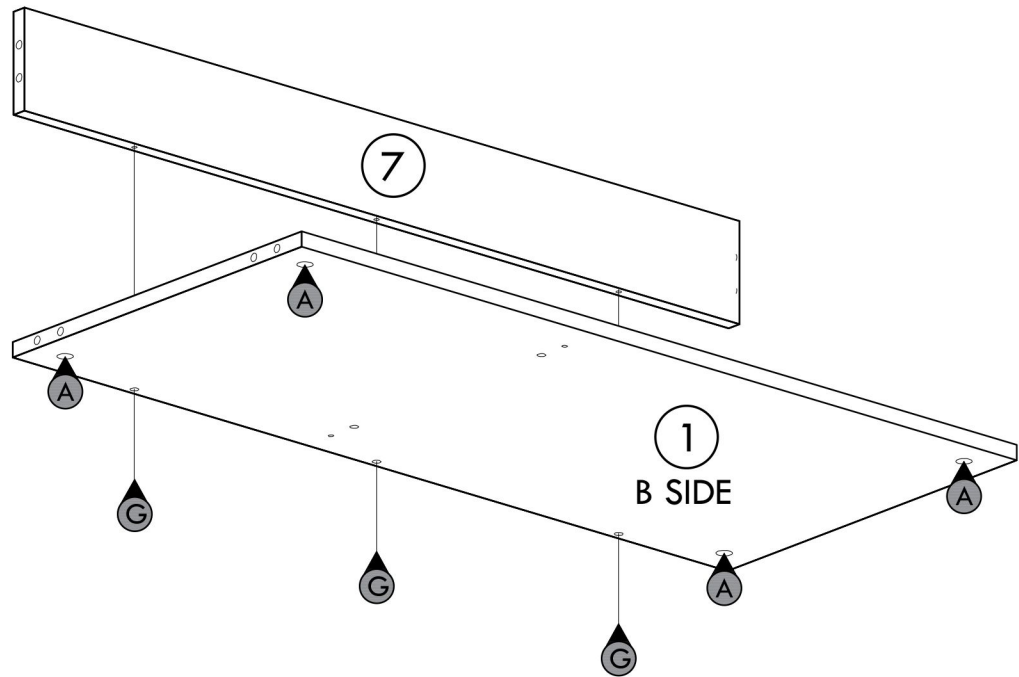
### HARDWARE



1

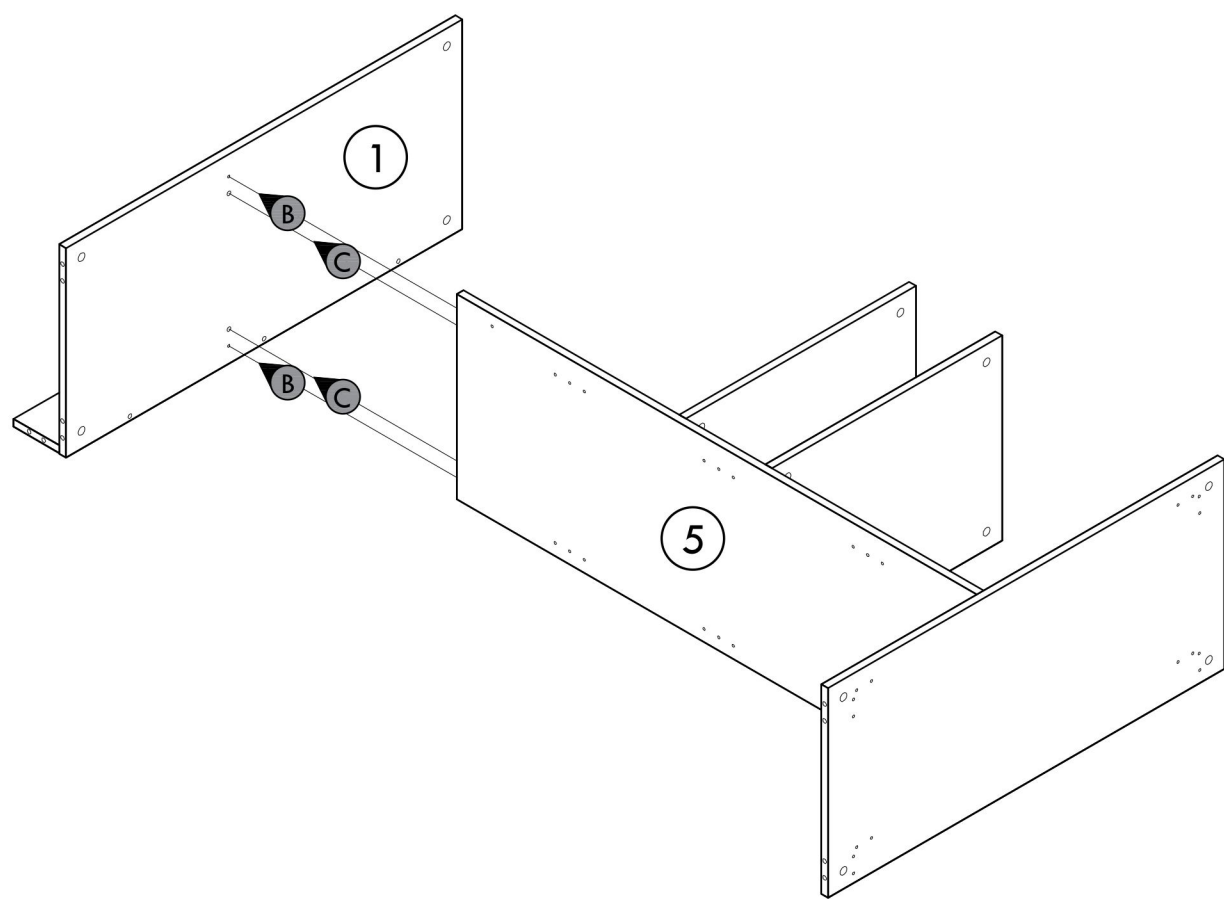


2

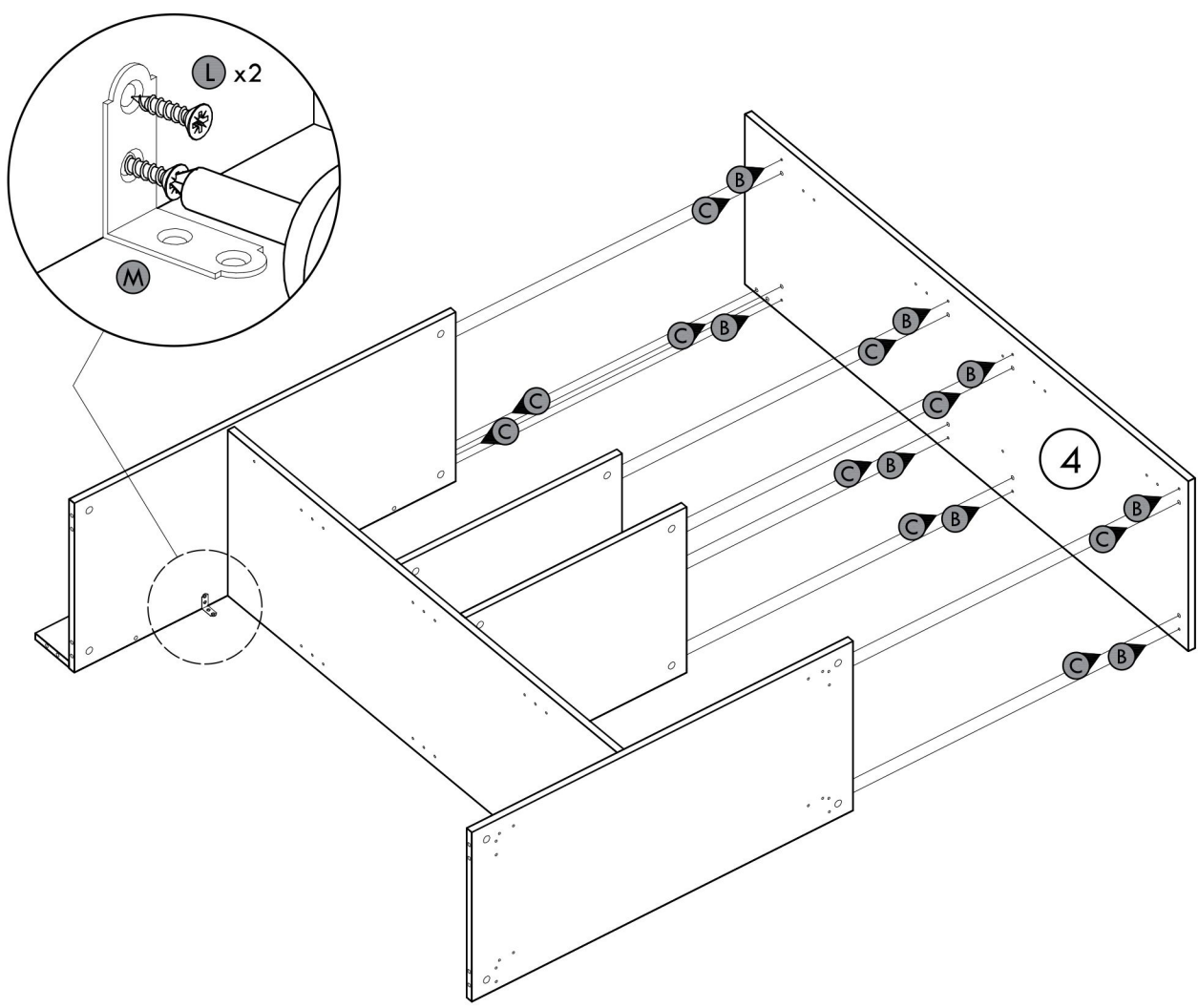


*\*Detailed instructions for fittings can be found on the last pages of the manual*

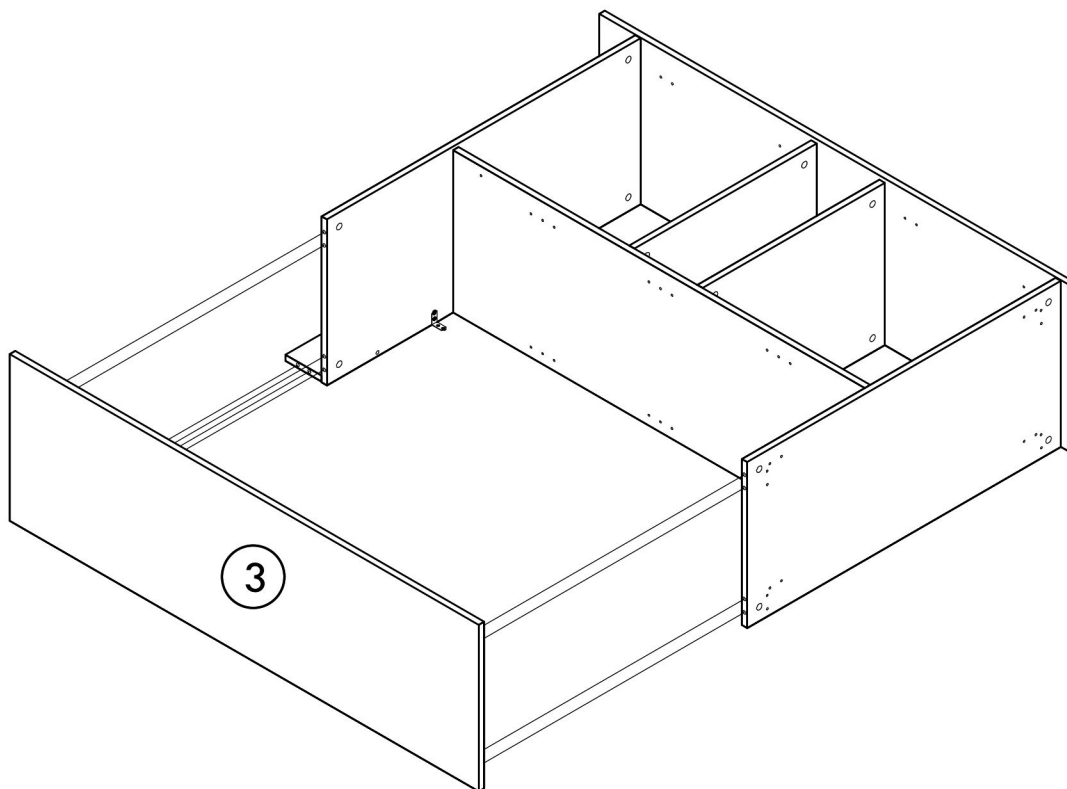
3



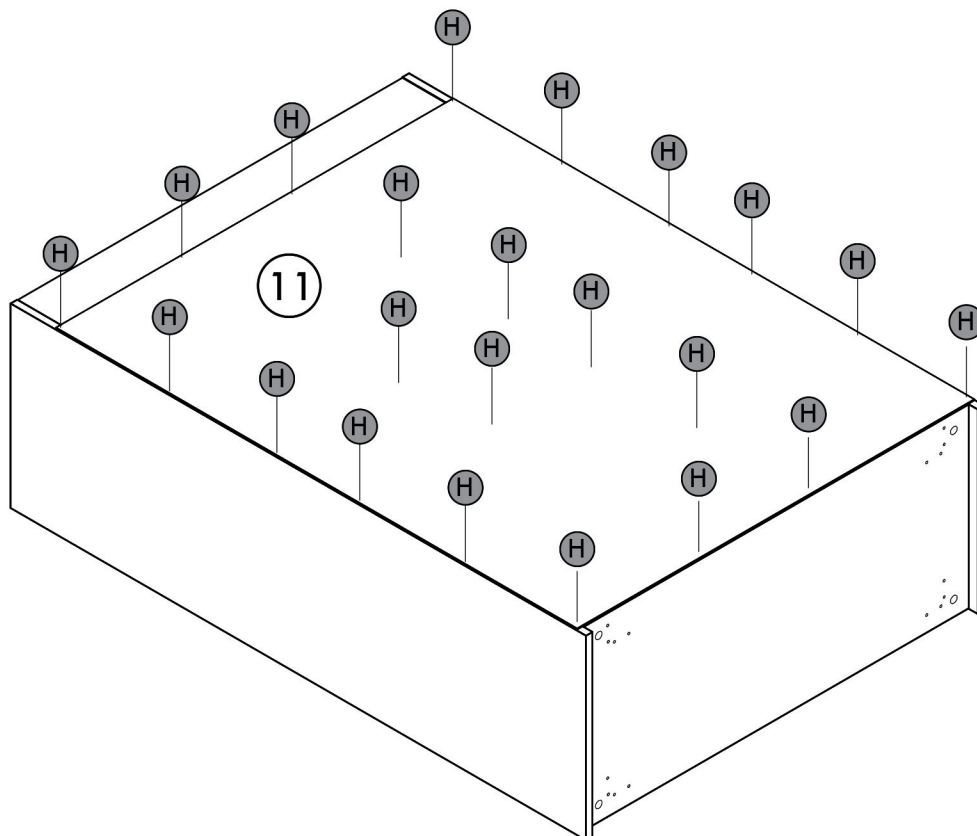
4



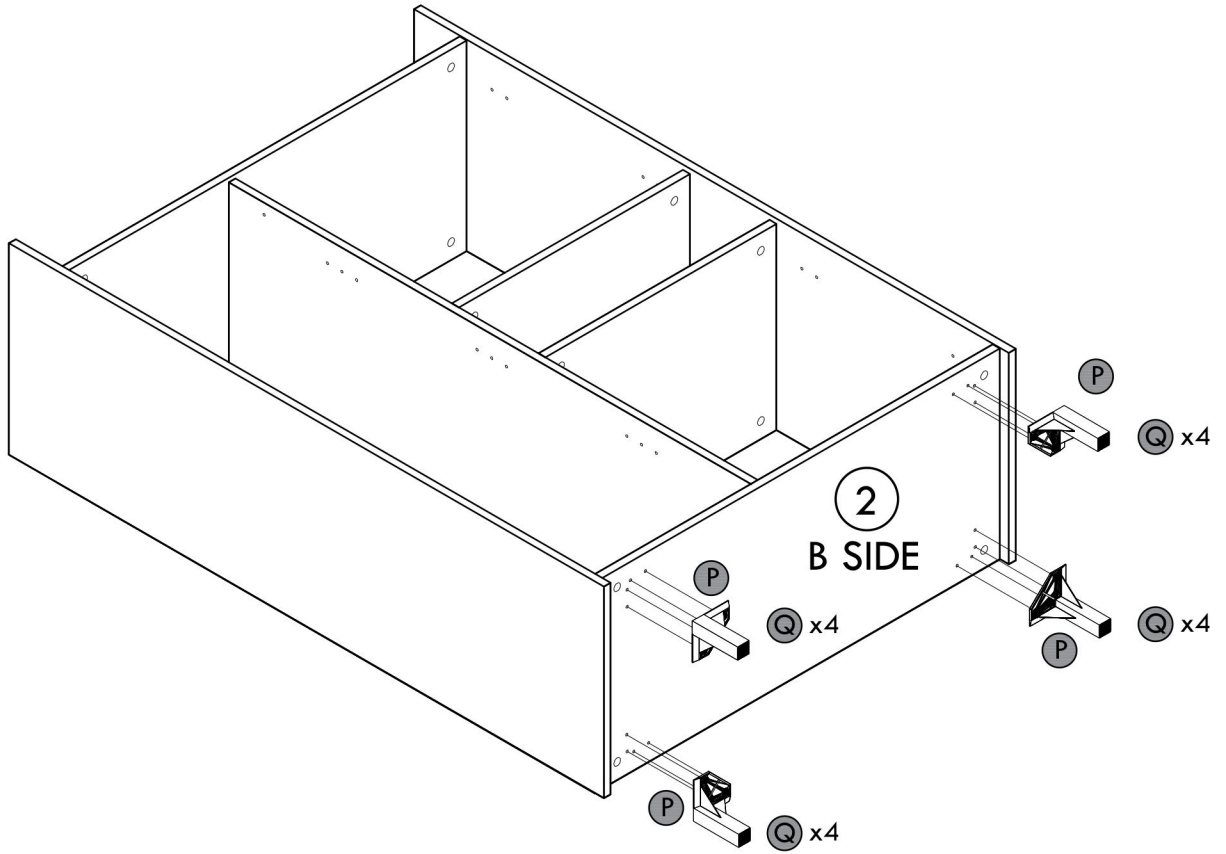
5



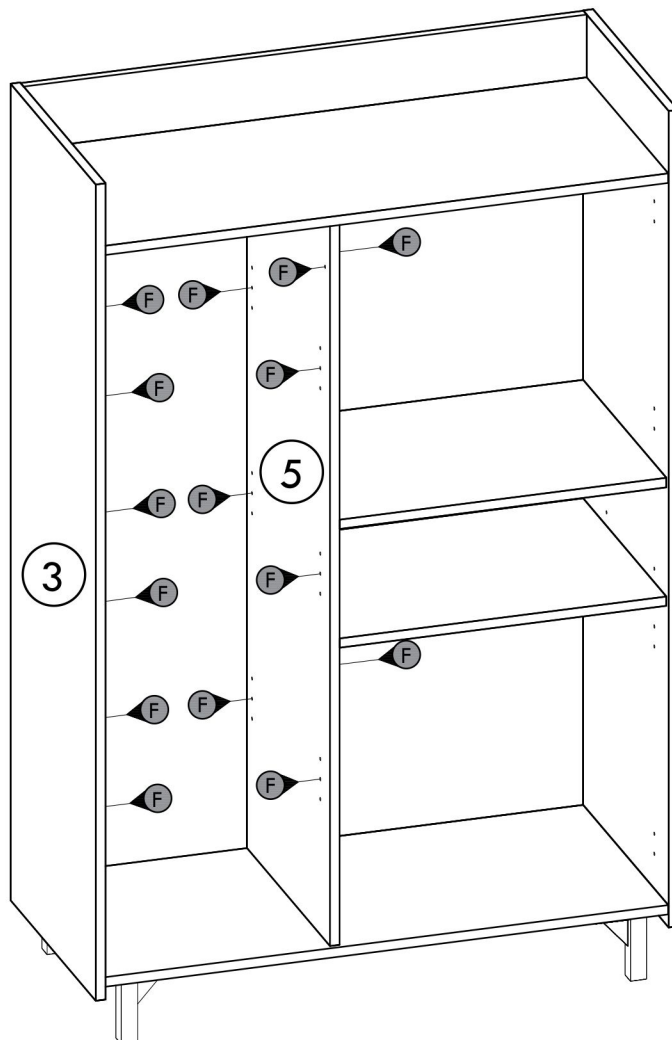
6



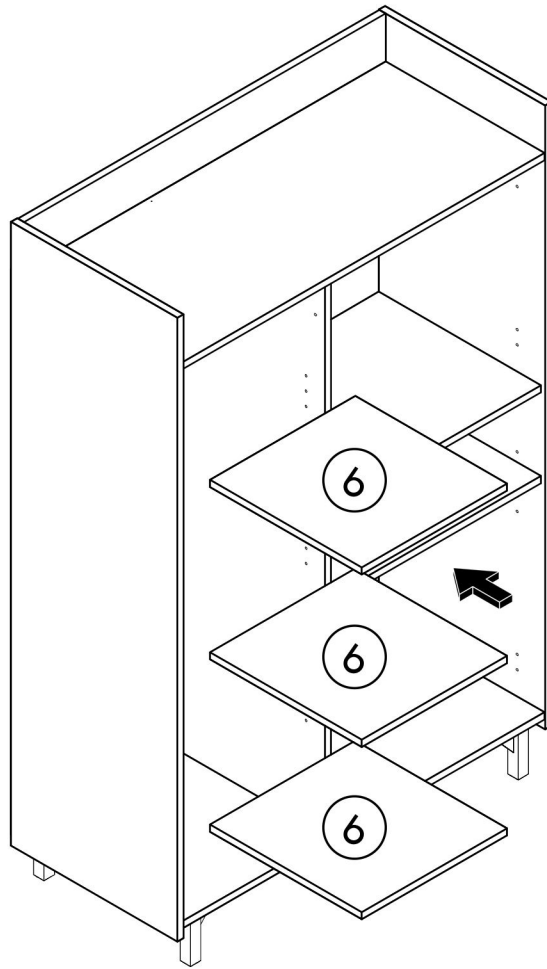
7



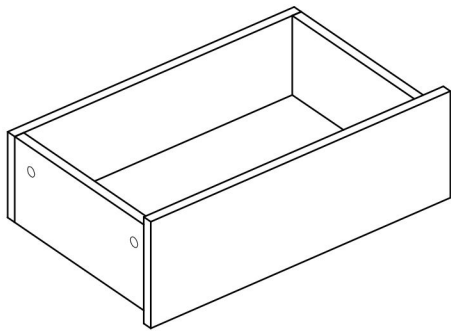
8



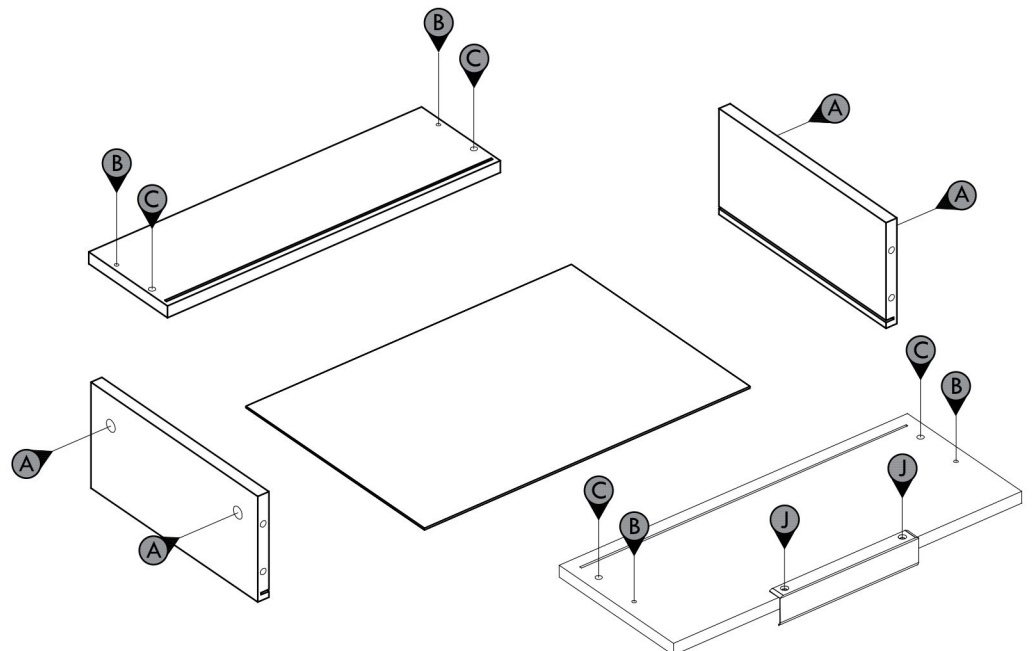
9



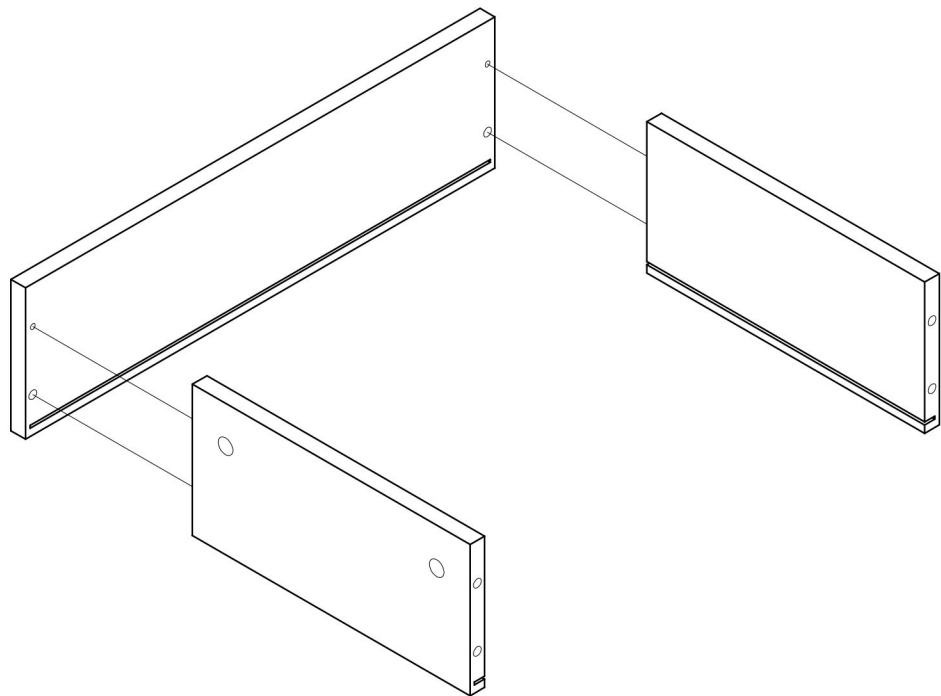
10



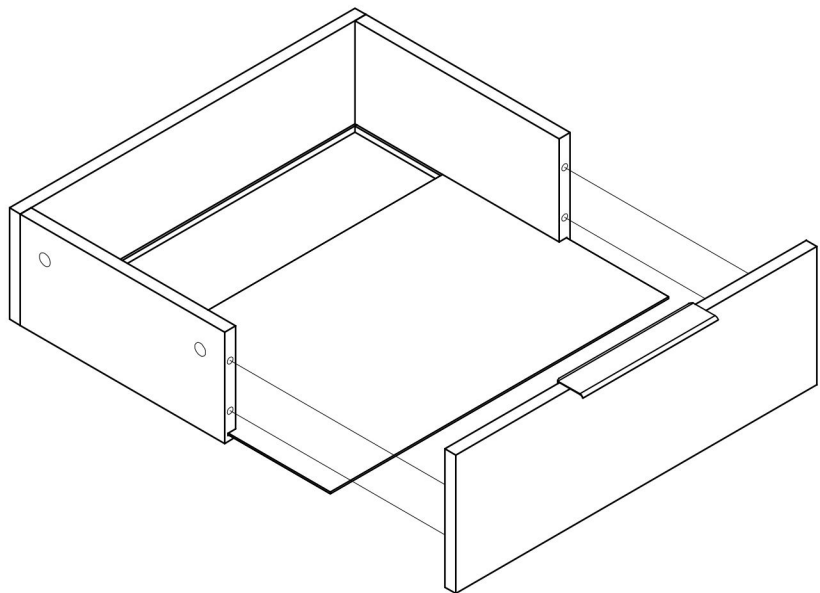
### DRAWER ASSEMBLY



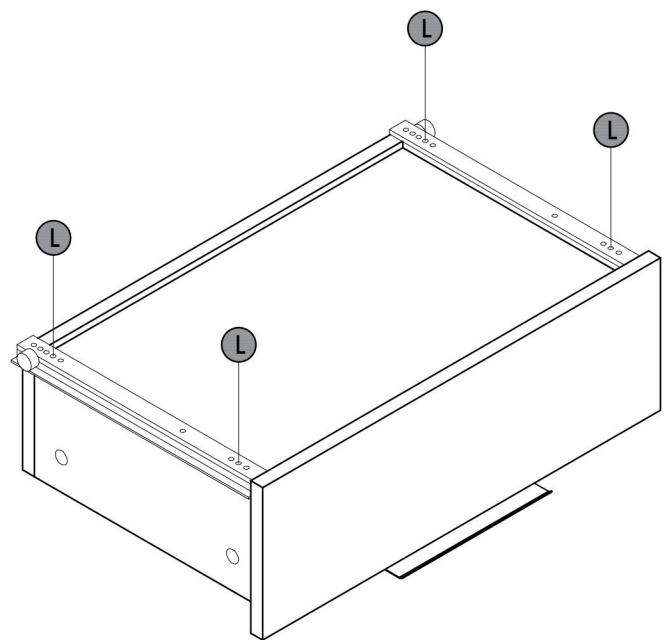
11



12

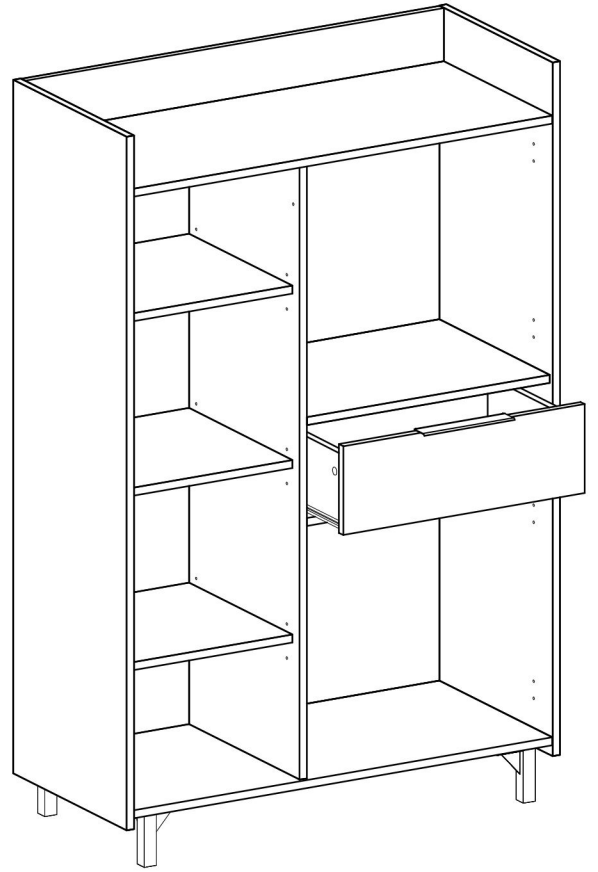
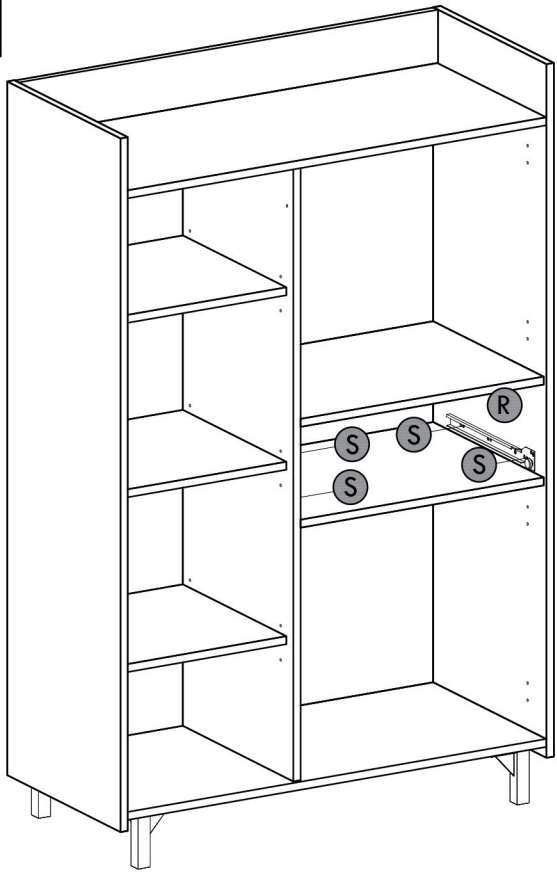


13

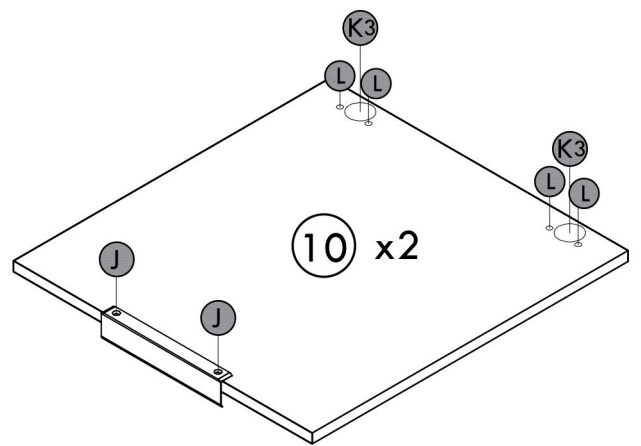
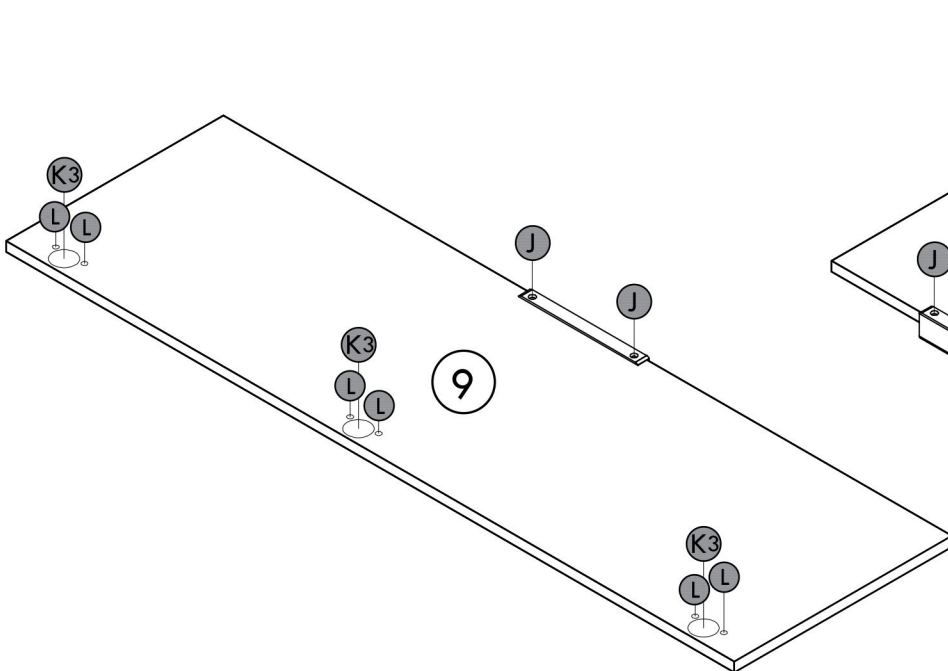




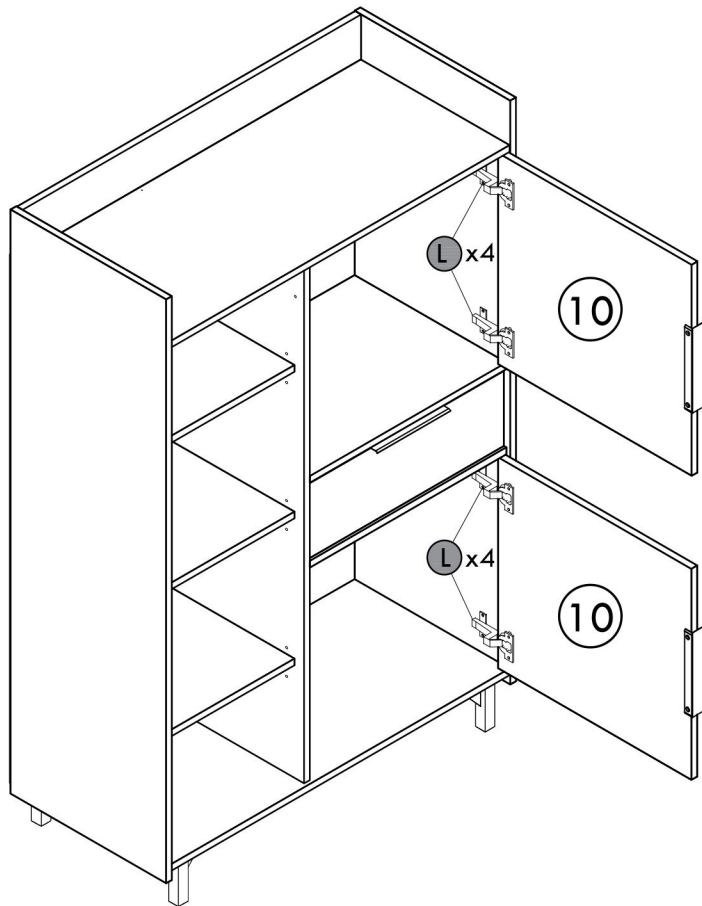
14



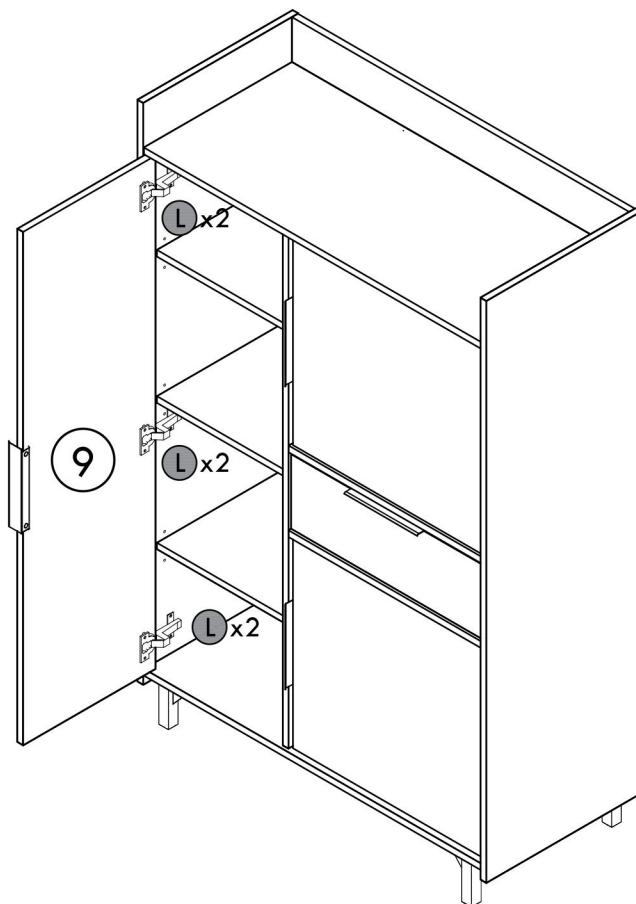
15

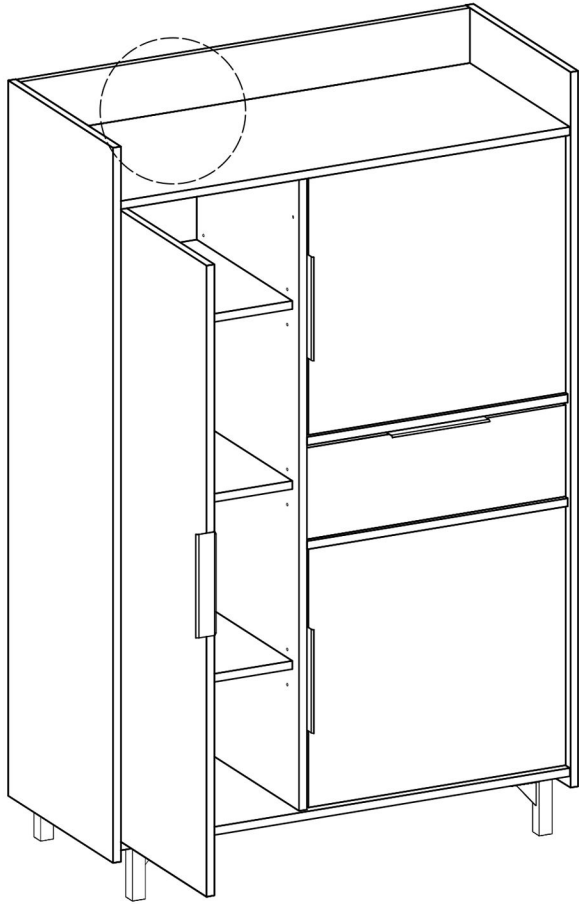


16

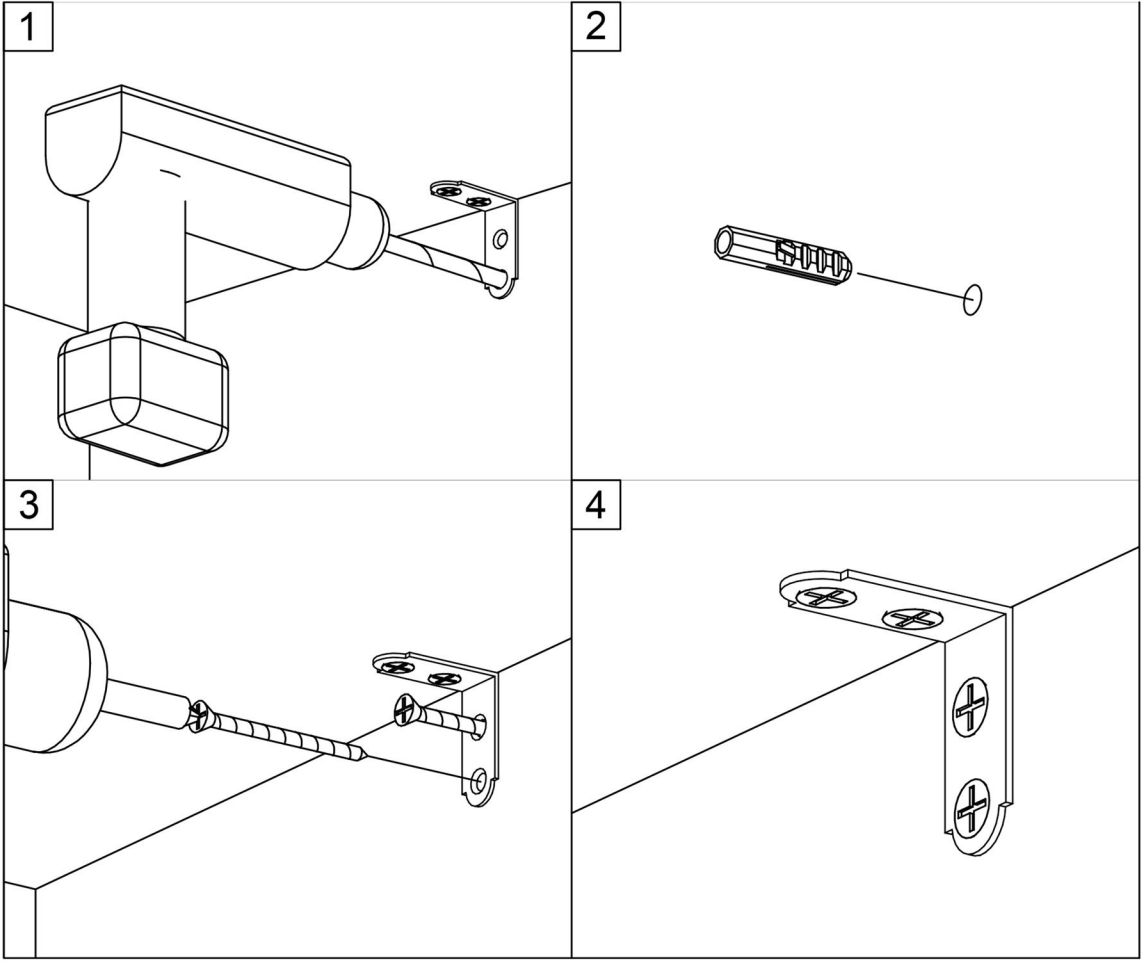


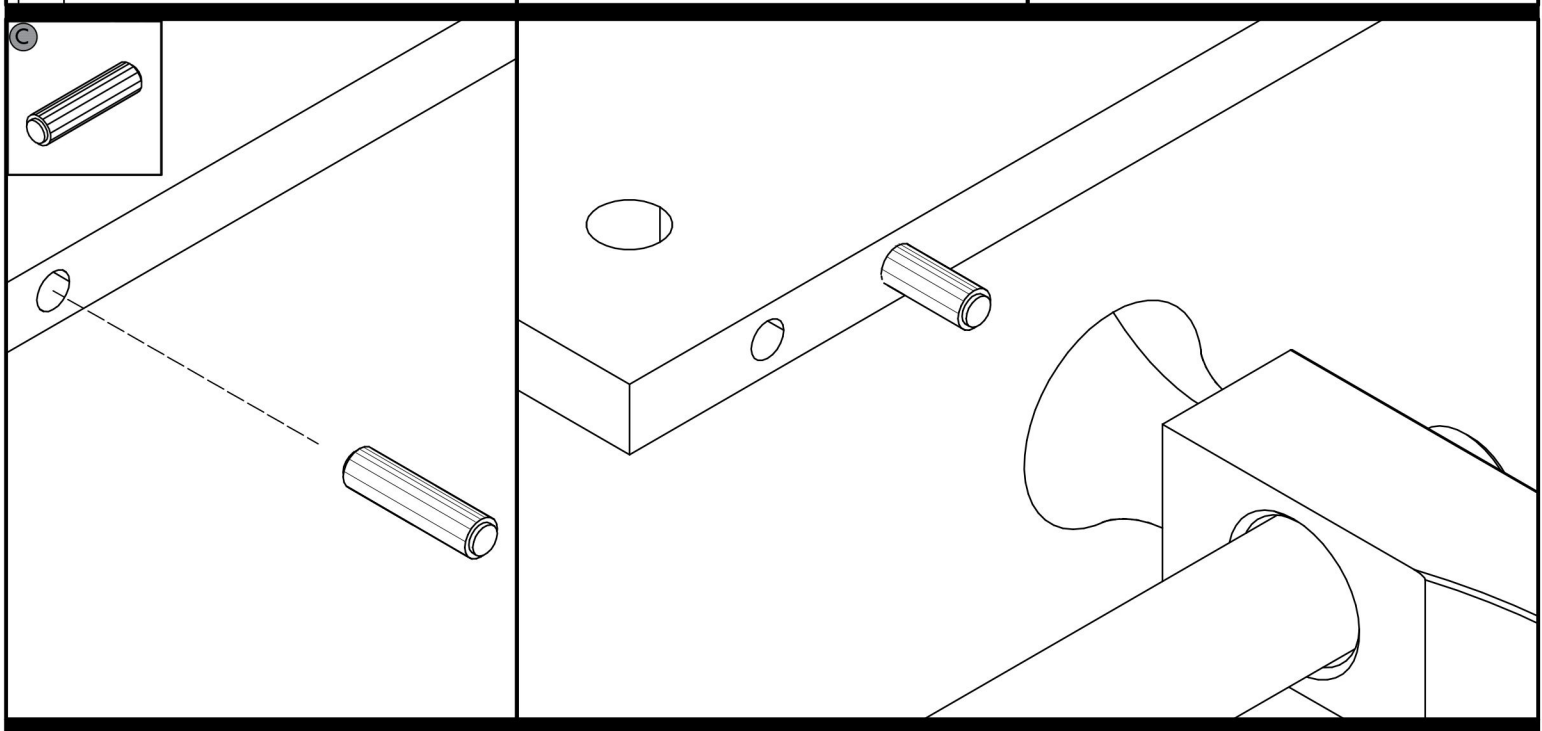
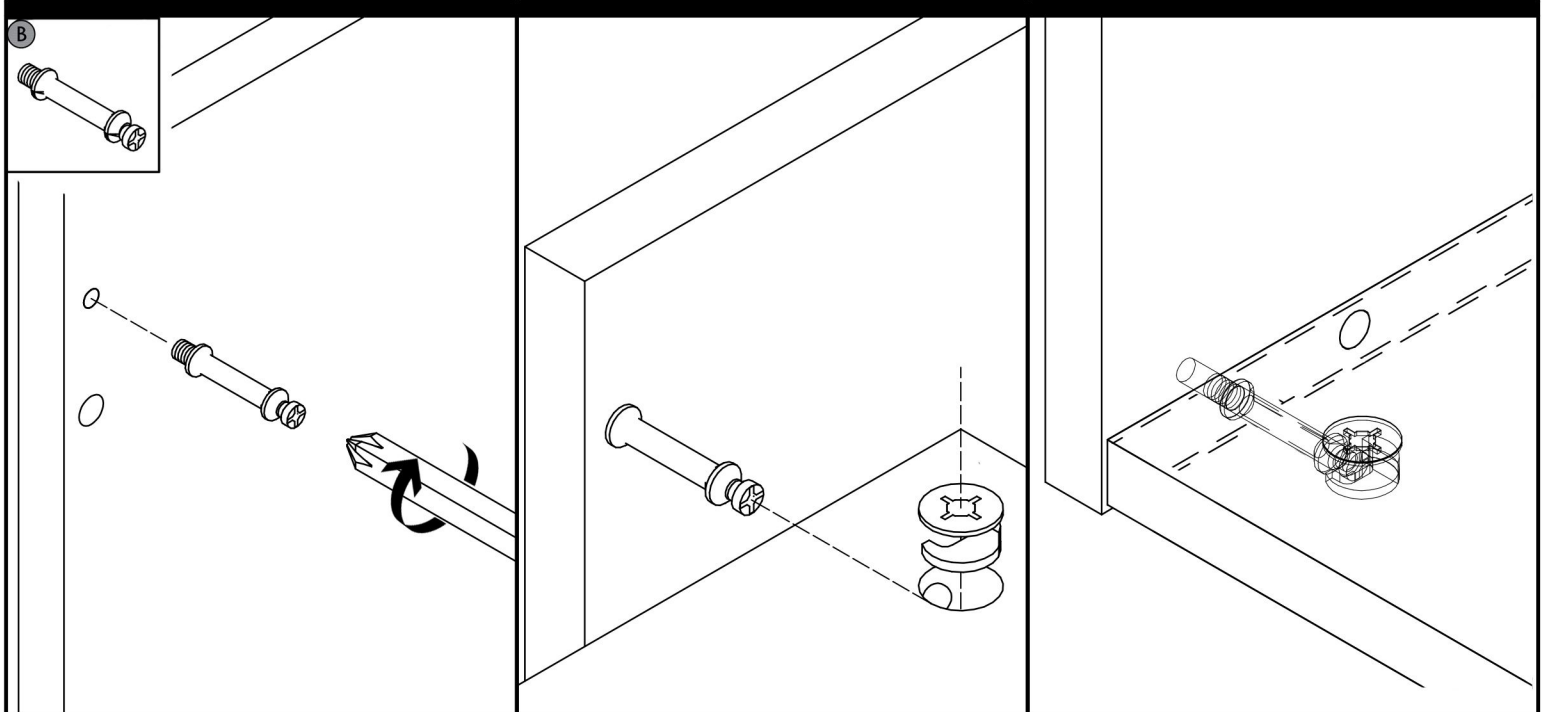
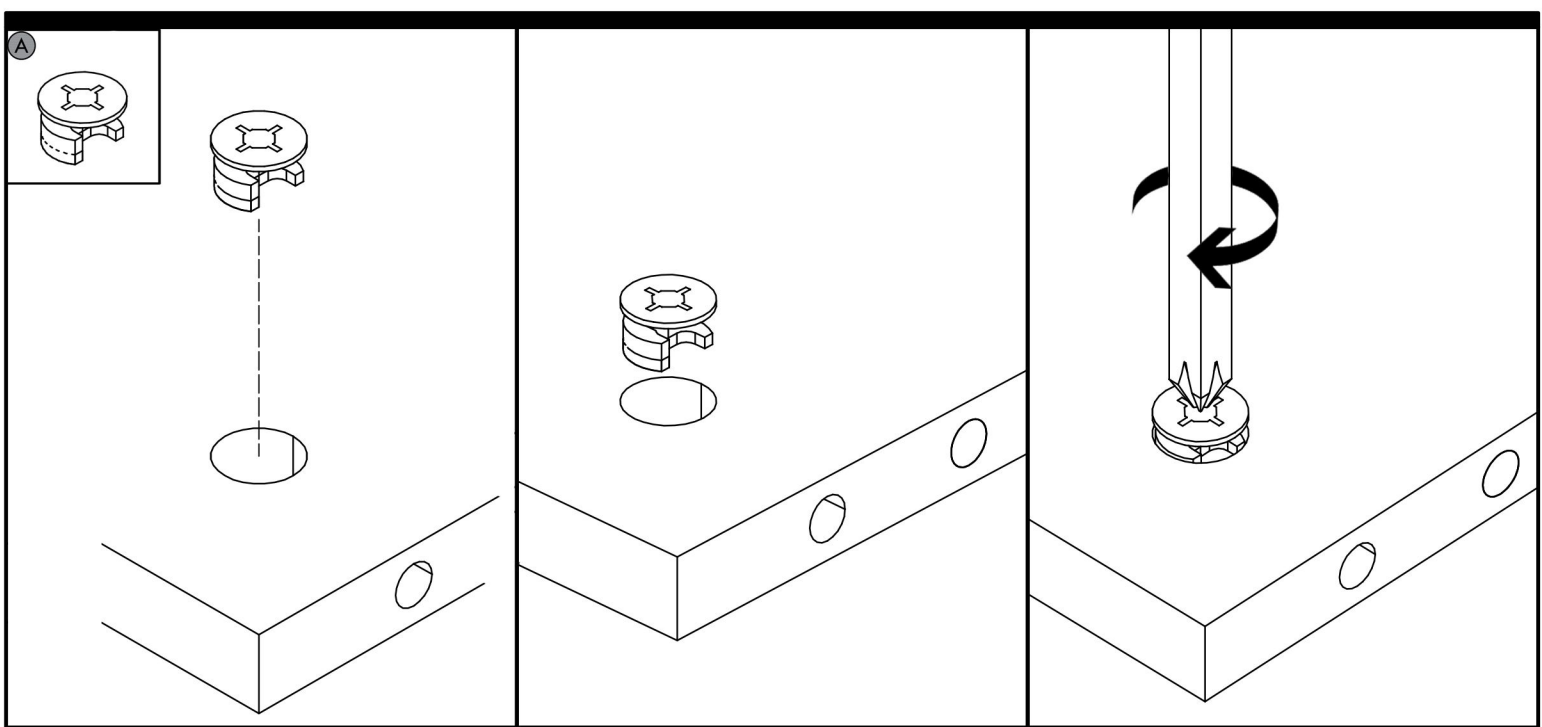
17

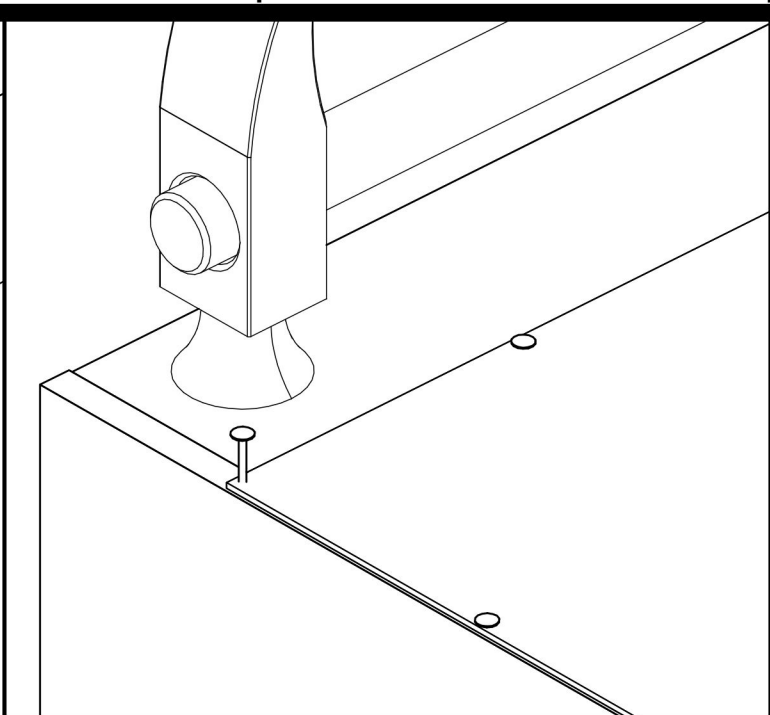
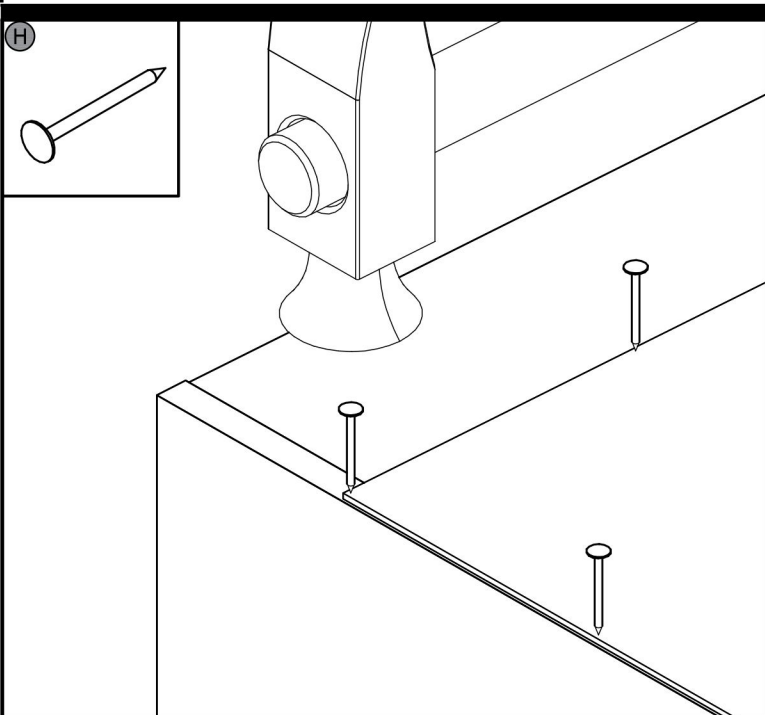
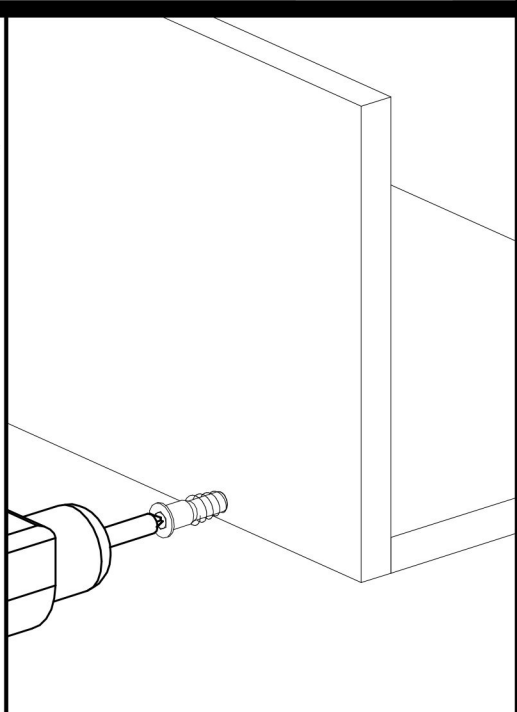
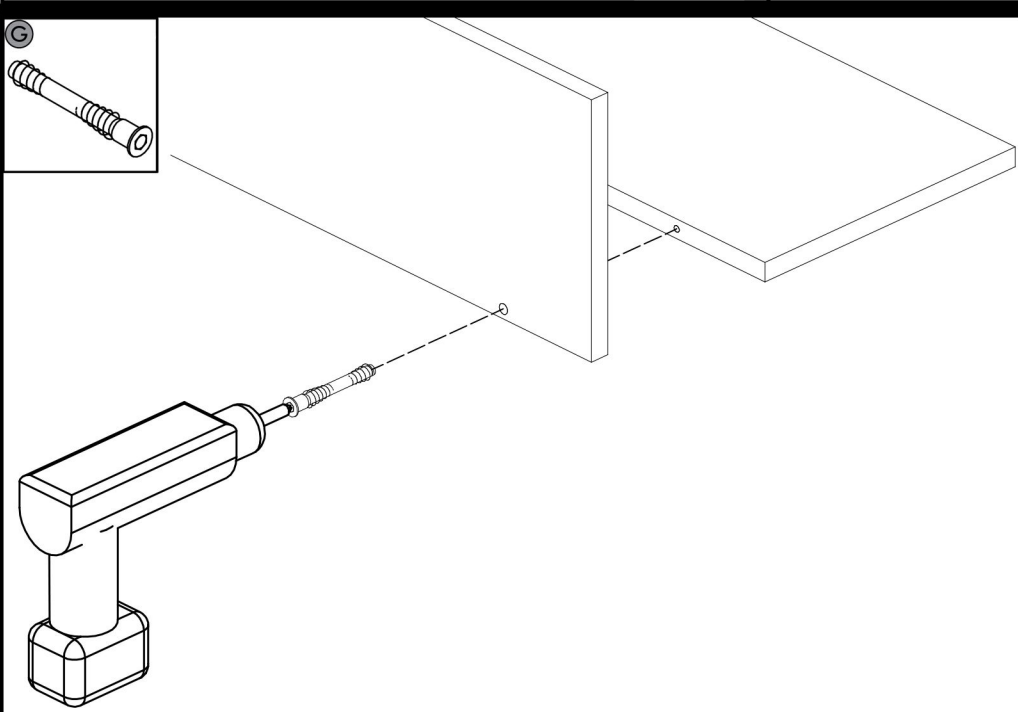
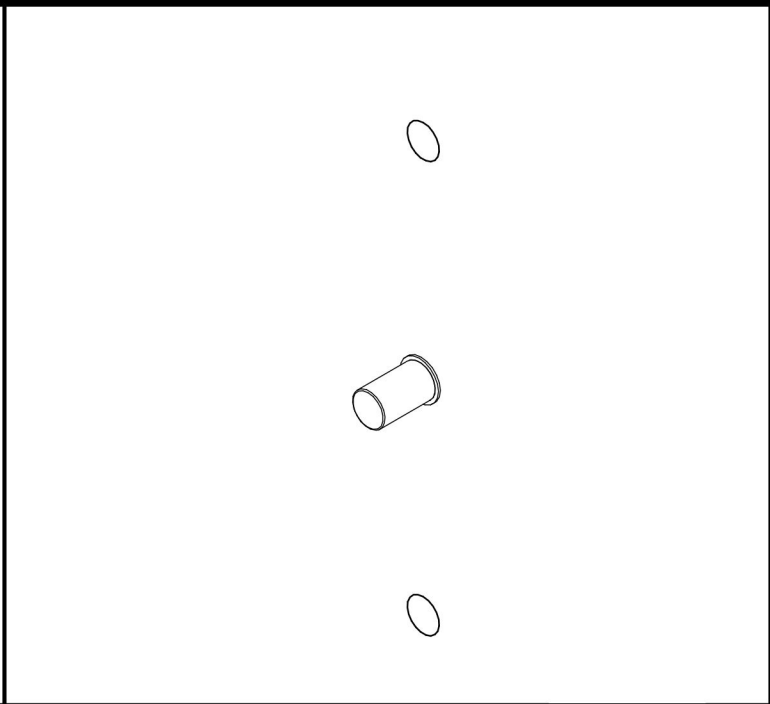
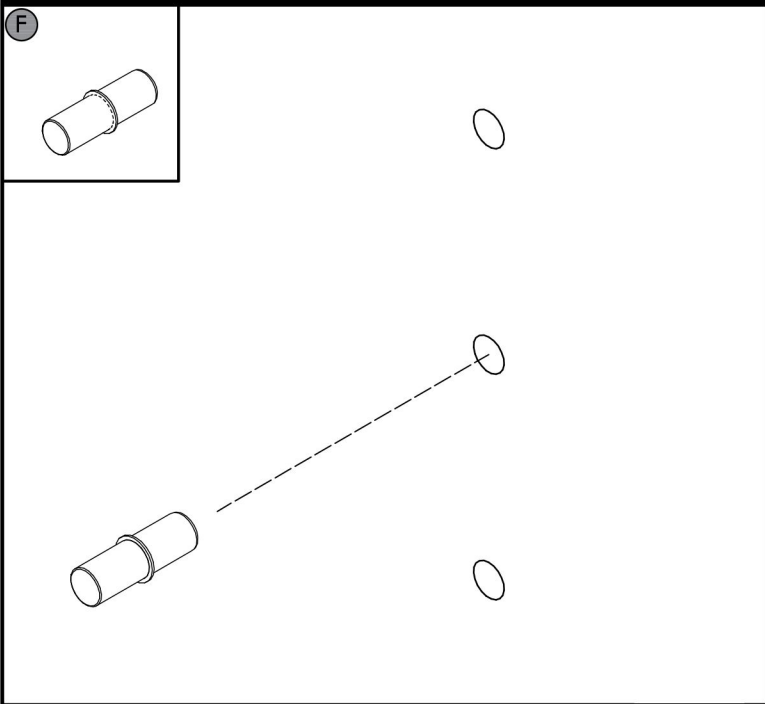


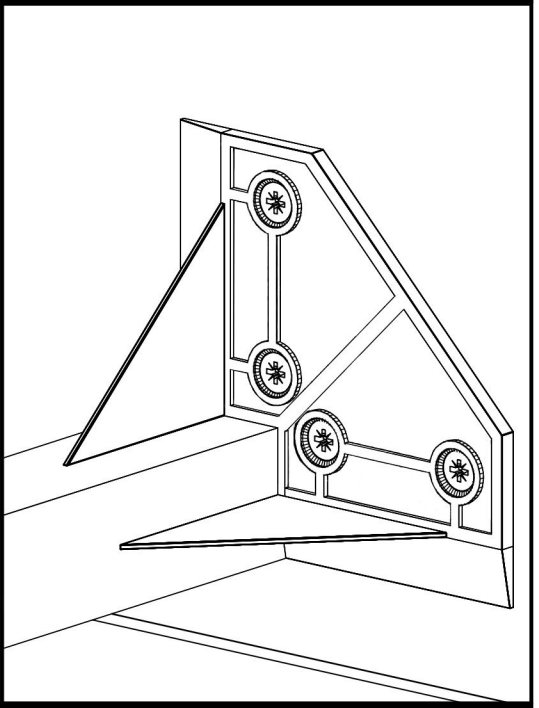
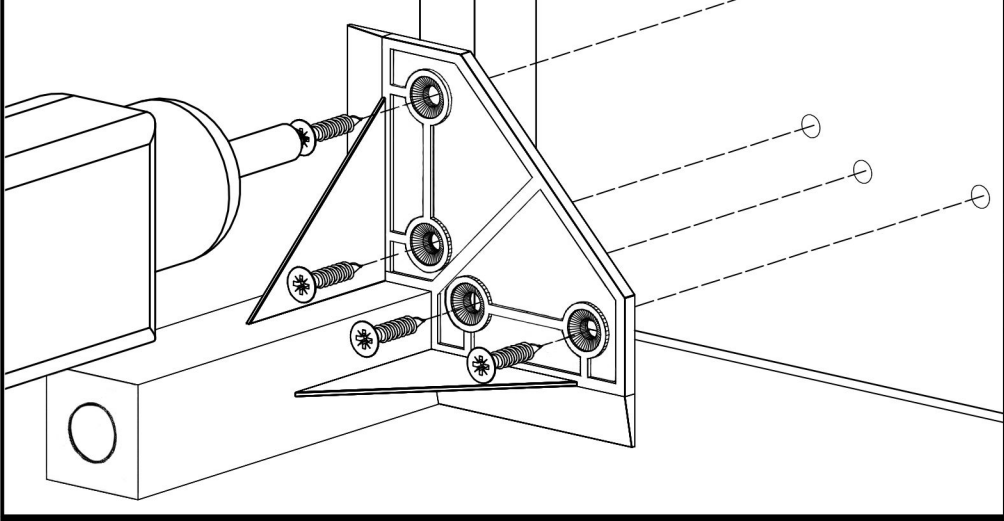
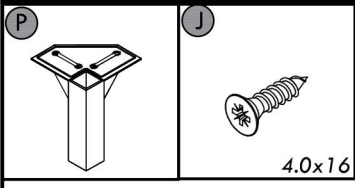
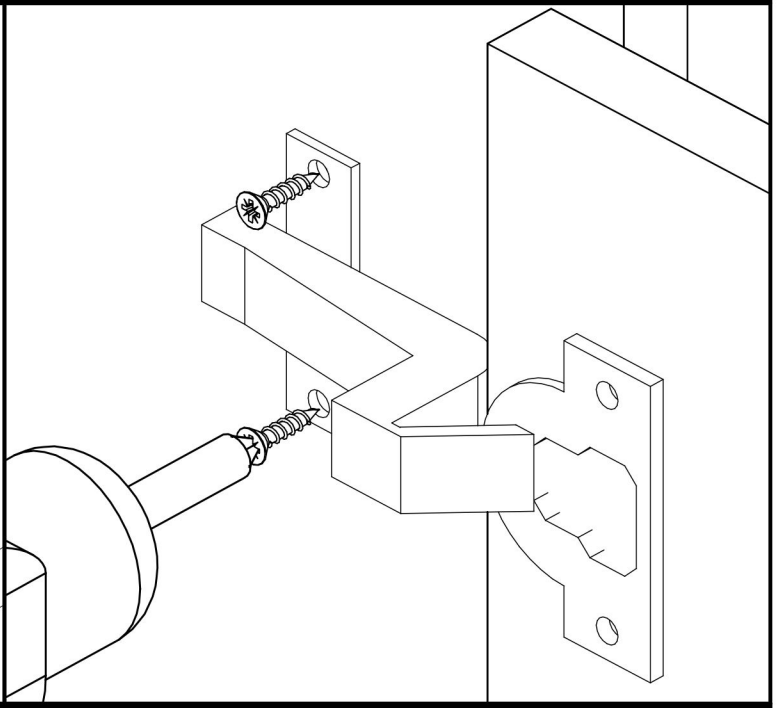
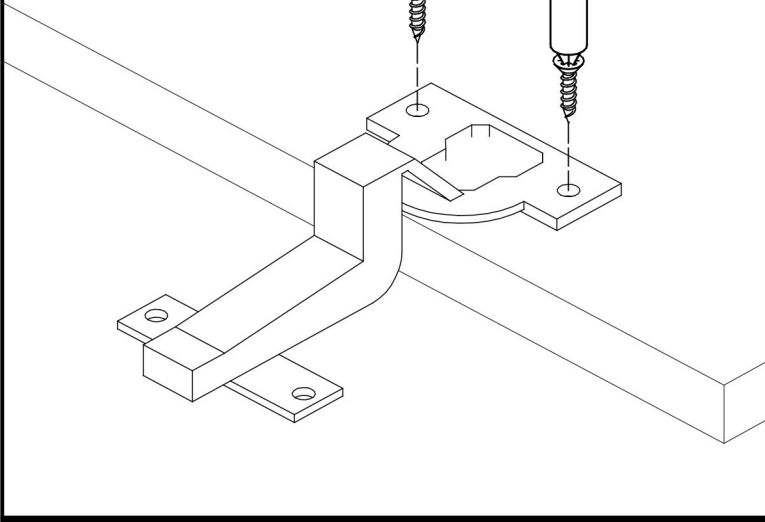
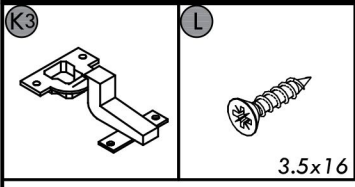
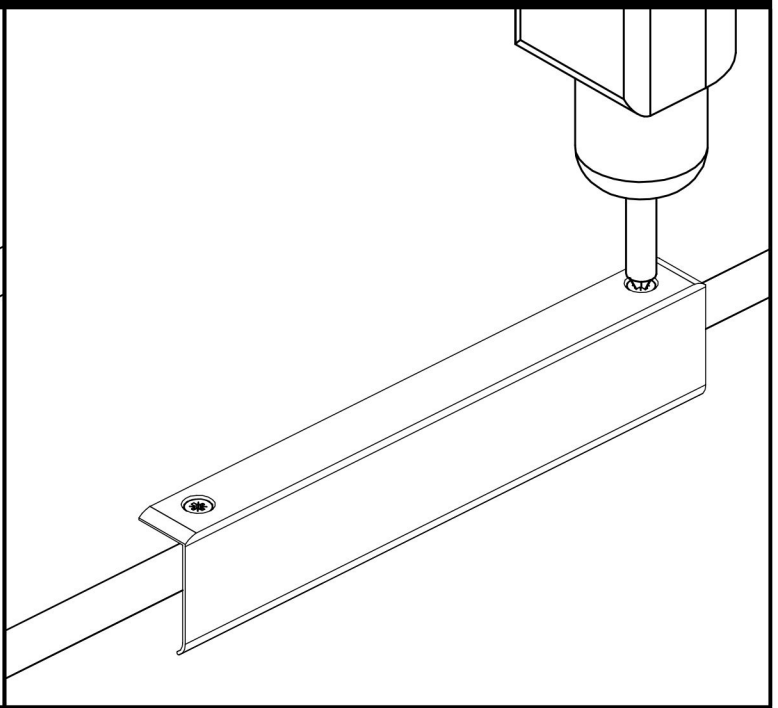
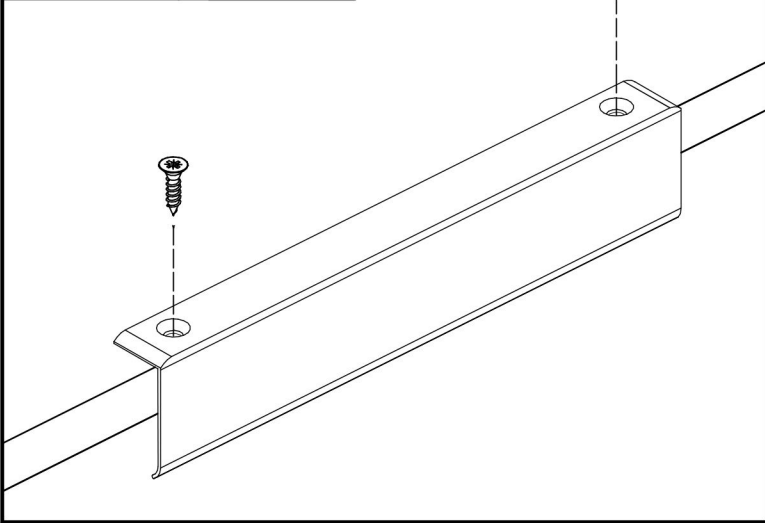
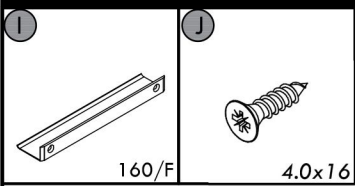


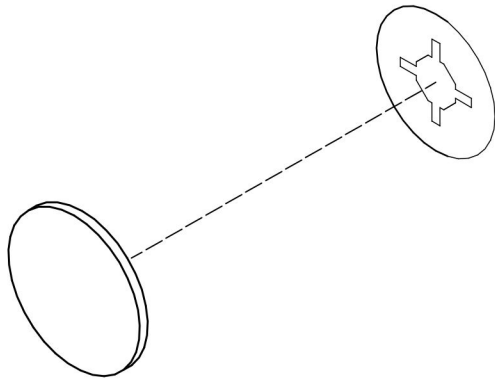
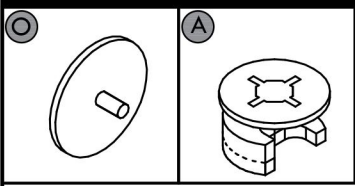
DRILLING & SUPPORT ON THE WALL



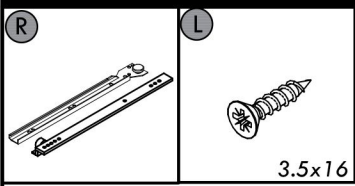
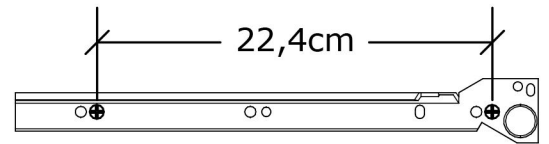
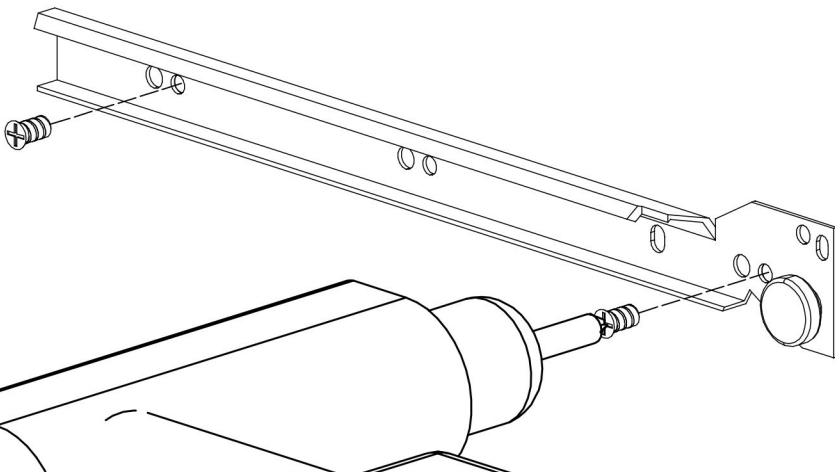
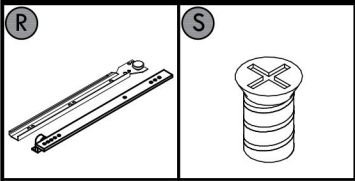
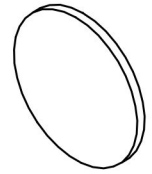








PLASTIC COVER CAPS FOR SCREWS



3.5x16

